

2/2 way diaphragm valve, manual, weld end and Clamp connection



Hygienic Processing Components....

- All medium contact materials traceable
- Zero dead volume
- Component of the BBS modular system
- Valco MM complete stainless steel actuator, safe operation and low maintenance, with adjustable stroke limitation
- Suitable for CIP and SIP



Type BBS-03F
Flow indicator



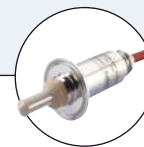
Type BBS-04
Silicone tube



Type BBS-10
Check valve



Type BBS-05
Quick Connect



Type 8221
Conductivity sensor



Type 8650
Process Automation

The stainless steel diaphragm valve actuators Valco MM from BBS Systems are equipped with a stainless steel travel limit for continuous regulation and a position indicator.

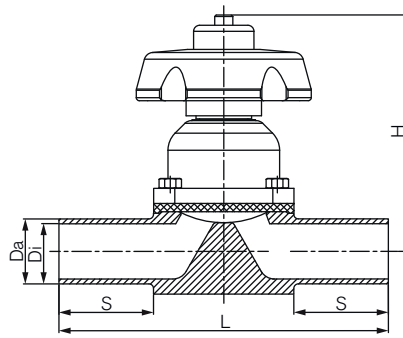
These new manual actuators are fully auto-clavable, acid and alkali resistant, suitable for all commercially available valve bodies, electro-polished (standard) and nonferrous metal free.

Technical data	
Available standard sizes	ISO DN08 to DN150 BS-OD DN1/4" to DN6" DIN DN04 to DN150 Customized on request
Material medium contact	Stainless steel 1.4435 BN2 (316L) Special materials e.g. Hastelloy 2.4602, Titanium, 1.4539 etc. on request
Actuator material	1.4305 or equivalent
Seals	Diaphragm: EPDM, FEP (PTFE/EPDM backing shield), Advanced PTFE. Special materials e.g. silicone on request.
Surface quality	Medium contacted surface < Ra 0,8µm, electro polished, finer surface on request
Operating temperature	EPDM seal material: -40°C to 90°C, temporary to 140°C FEP seal material: -60°C to 160°C, temporary to 205°C
Ambient temperature	-10 to +80 °C
Operating pressure	ISO DN08 to DN65 = 10 bar both sides ISO DN80 to DN150 = 8 bar both sides BS-OD DN1/4" to DN3" = 10 bar both sides BS-OD DN4" to DN6" = 8 bar both sides DIN DN04 to DN65 = 10 bar both sides DIN DN80 to DN150 = 8 bar both sides
Media	Gases or liquids < 10 bar
Applicable Standards	Pipe connection acc. to DIN 11866 ISO-Dimensions Series B (ISO 4200) BS-OD-Dimension Series C (ASME BPE) DIN-Dimension Series A (DIN 11850) Clamp connections acc. to DIN 32676 ISO-Dimension Series B BS-OD-Dimension Series C (ASME BPE) DIN-Dimension Series A
Certifications	Material 3.1, FDA, USP VI.

Applications

- Biotechnology
- Pharmaceutical
- Chemical industry
- Dairy
- Food
- Cosmetic

Dimension [mm] Diaphragm valve 2/2 way, stainless steel, manual actuator / weld end

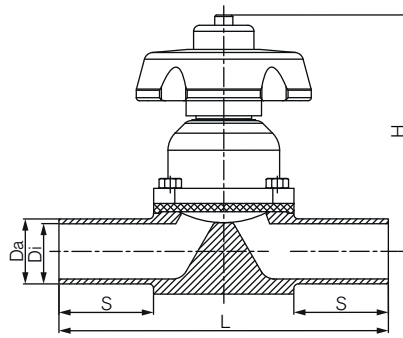


Orifice	Da [mm]	Di [mm]	L [mm]	H[mm]	S [mm]	Item no. EPDM	
ISO Dimensions Diaphragm valve 2/2 way, stainless steel, manual actuator / weld end							
DN08	13,50	10,30	72,00	66,30	20,00	BBS-09-AA.W08.W08.35.0.MM	(742 928)
DN10	17,20	14,00	108,00	99,00	31,00	BBS-09-AA.W10.W10.35.0.MM	(736 370)
DN15	21,30	18,10	108,00	101,00	31,00	BBS-09-AA.W15.W15.35.0.MM	(736 421)
DN20	26,90	23,70	120,00	154,00	25,00	BBS-09-AA.W20.W20.35.0.MM	(743 223)
DN25	33,70	29,70	120,00	158,00	25,00	BBS-09-AA.W25.W25.35.0.MM	(on request)
DN32	42,40	38,40	153,00	199,00	30,00	BBS-09-AA.W32.W32.35.0.MM	(on request)
DN40	48,30	44,30	153,00	204,00	30,00	BBS-09-AA.W40.W40.35.0.MM	(on request)
DN50	60,30	56,30	173,00	235,00	40,00	BBS-09-AA.W50.W50.35.0.MM	(736 610)
DN65	76,10	72,10	216,00	245,00	41,00	BBS-09-AA.W65.W65.35.0.MM	(on request)
DN80	88,90	84,30	244,00	260,00	40,00	BBS-09-AA.W80.W80.35.0.MM	(on request)
DN100	114,30	109,10	350,00	278,00	55,00	BBS-09-AA.W100.W100.35.0.MM	(on request)
DN150	168,30	163,10	396,00	345,00	90,00	BBS-09-AA.W150.W150.35.0.MM	(on request)

Orifice	Da [mm]	Di [mm]	L [mm]	H[mm]	S [mm]	Item no. EPDM	
BS-OD Dimensions Diaphragm valve 2/2 way, stainless steel, manual actuator / weld end							
DN1/4"	6,35	4,57	72,00	63,30	20,00	BBS-09-AA.Y02.Y02.35.0.MM	(on request)
DN3/8"	9,53	7,75	88,90	66,30	20,00	BBS-09-AA.Y03.Y03.35.0.MM	(on request)
DN1/2"	12,70	9,40	88,90	66,30	30,00	BBS-09-AA.Y05.Y05.35.0.MM	(on request)
DN3/4"	19,05	15,75	121,90	99,50	38,00	BBS-09-AA.Y07.Y07.35.0.MM	(736 729)
DN1"	25,40	22,10	147,30	155,70	38,00	BBS-09-AA.Y10.Y10.35.0.MM	(736 764)
DN1 1/2"	38,10	34,80	170,20	199,00	40,00	BBS-09-AA.Y15.Y15.35.0.MM	(on request)
DN2"	50,80	47,50	190,50	209,00	40,00	BBS-09-AA.Y20.Y20.35.0.MM	(on request)
DN2 1/2"	63,50	60,20	173,00	222,30	40,00	BBS-09-AA.Y25.Y25.35.0.MM	(on request)
DN3"	76,20	72,90	216,00	244,00	41,00	BBS-09-AA.Y30.Y30.35.0.MM	(on request)
DN4"	101,60	97,38		364,80		BBS-09-AA.Y40.Y40.35.0.MM	(on request)
DN6"	152,40	146,86		on request		BBS-09-AA.Y60.Y60.35.0.MM	(on request)

Orifice	Da [mm]	Di [mm]	L [mm]	H[mm]	S [mm]	Item no. EPDM	
DIN Dimensions Diaphragm valve 2/2 way, stainless steel, manual actuator / weld end							
DN04	6,00	4,00	72,00	60,80	20,00	BBS-09-AA.V04.V04.35.0.MM	(743 248)
DN06	8,00	6,00	72,00	61,30	20,00	BBS-09-AA.V06.V06.35.0.MM	(743 473)
DN08	10,00	8,00	72,00	66,10	20,00	BBS-09-AA.V08.V08.35.0.MM	(743 747)
DN10	12,00	10,00	72,00	66,10	20,00	BBS-09-AA.V10.V10.35.0.MM	(743 249)
DN10	13,00	10,00	72,00	66,10	20,00	BBS-09-AA.V10.V10.35.0.MM-1	(on request)
DN15	19,00	16,00	108,00	101,00	20,00	BBS-09-AA.V15.V15.35.0.MM	(736 215)
DN20	23,00	20,00	120,00	149,00	20,00	BBS-09-AA.V20.V20.35.0.MM	(743 422)
DN25	29,00	26,00	120,00	158,50	25,00	BBS-09-AA.V25.V25.35.0.MM	(743 556)
DN32	35,00	32,00	153,00	179,00	30,00	BBS-09-AA.V32.V32.35.0.MM	(on request)
DN40	41,00	38,00	153,00	201,00	30,00	BBS-09-AA.V40.V40.35.0.MM	(736 286)
DN50	53,00	50,00	173,00	219,20	32,50	BBS-09-AA.V50.V50.35.0.MM	(on request)
DN65	70,00	66,00	216,00	246,00	41,00	BBS-09-AA.V65.V65.35.0.MM	(on request)
DN80	85,00	81,00		on request		BBS-09-AA.V80.V80.35.0.MM	(on request)
DN100	104,00	100,00		364,80		BBS-09-AA.V100.V100.35.0.MM	(on request)
DN150	154,00	150,00		on request		BBS-09-AA.V150.V150.35.0.MM	(on request)

Dimension [mm] Diaphragm valve 2/2 way, stainless steel, manual actuator / weld end

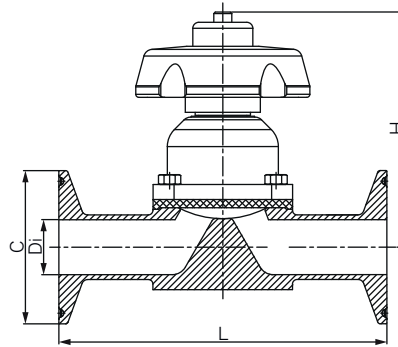


Orifice	Da [mm]	Di [mm]	L [mm]	H[mm]	S [mm]	Item no. FEP	
ISO Dimensions Diaphragm valve 2/2 way, stainless steel, manual actuator / weld end							
DN08	13,50	10,30	72,00	66,30	20,00	BBS-09-AA.W08.W08.35.3.MM	(736 336)
DN10	17,20	14,00	108,00	99,00	31,00	BBS-09-AA.W10.W10.35.3.MM	(736 379)
DN15	21,30	18,10	108,00	101,00	31,00	BBS-09-AA.W15.W15.35.3.MM	(736 429)
DN20	26,90	23,70	120,00	154,00	25,00	BBS-09-AA.W20.W20.35.3.MM	(736 473)
DN25	33,70	29,70	120,00	158,00	25,00	BBS-09-AA.W25.W25.35.3.MM	(736 519)
DN32	42,40	38,40	153,00	199,00	30,00	BBS-09-AA.W32.W32.35.3.MM	(on request)
DN40	48,30	44,30	153,00	204,00	30,00	BBS-09-AA.W40.W40.35.3.MM	(736 581)
DN50	60,30	56,30	173,00	235,00	40,00	BBS-09-AA.W50.W50.35.3.MM	(736 618)
DN65	76,10	72,10	216,00	245,00	41,00	BBS-09-AA.W65.W65.35.3.MM	(on request)
DN80	88,90	84,30	244,00	260,00	40,00	BBS-09-AA.W80.W80.35.3.MM	(on request)
DN100	114,30	109,10	350,00	278,00	55,00	BBS-09-AA.W100.W100.35.3.MM	(on request)
DN150	168,30	163,10	396,00	345,00	90,00	BBS-09-AA.W150.W150.35.3.MM	(on request)

Orifice	Da [mm]	Di [mm]	L [mm]	H[mm]	S [mm]	Item no. FEP	
BS-OD Dimensions Diaphragm valve 2/2 way, stainless steel, manual actuator / weld end							
DN1/4"	6,35	4,57	72,00	63,30	20,00	BBS-09-AA.Y02.Y02.35.3.MM	(on request)
DN3/8"	9,53	7,75	88,90	66,30	20,00	BBS-09-AA.Y03.Y03.35.3.MM	(on request)
DN1/2"	12,70	9,40	88,90	66,30	30,00	BBS-09-AA.Y05.Y05.35.3.MM	(736 708)
DN3/4"	19,05	15,75	121,90	99,50	38,00	BBS-09-AA.Y07.Y07.35.3.MM	(736 737)
DN1"	25,40	22,10	147,30	155,70	38,00	BBS-09-AA.Y10.Y10.35.3.MM	(736 764)
DN1 1/2"	38,10	34,80	170,20	199,00	40,00	BBS-09-AA.Y15.Y15.35.3.MM	(736 797)
DN2"	50,80	47,50	190,50	209,00	40,00	BBS-09-AA.Y20.Y20.35.3.MM	(736 818)
DN2 1/2"	63,50	60,20	173,00	222,30	40,00	BBS-09-AA.Y25.Y25.35.3.MM	(on request)
DN3"	76,20	72,90	216,00	244,00	41,00	BBS-09-AA.Y30.Y30.35.3.MM	(on request)
DN4"	101,60	97,38		364,80		BBS-09-AA.Y40.Y40.35.3.MM	(on request)
DN6"	152,40	146,86		on request		BBS-09-AA.Y60.Y60.35.3.MM	(on request)

Orifice	Da [mm]	Di [mm]	L [mm]	H[mm]	S [mm]	Item no. FEP	
DIN Dimensions Diaphragm valve 2/2 way, stainless steel, manual actuator / weld end							
DN04	6,00	4,00	72,00	60,80	20,00	BBS-09-AA.V04.V04.35.3.MM	(743 475)
DN06	8,00	6,00	72,00	61,30	20,00	BBS-09-AA.V06.V06.35.3.MM	(743 473)
DN08	10,00	8,00	72,00	66,10	20,00	BBS-09-AA.V08.V08.35.3.MM	(on request)
DN10	12,00	10,00	72,00	66,10	20,00	BBS-09-AA.V10.V10.35.3.MM	(743 899)
DN10	13,00	10,00	72,00	66,10	20,00	BBS-09-AA.V10.V10.35.3.MM-1	(on request)
DN15	19,00	16,00	108,00	101,00	20,00	BBS-09-AA.V15.V15.35.3.MM	(736 223)
DN20	23,00	20,00	120,00	149,00	20,00	BBS-09-AA.V20.V20.35.3.MM	(743 057)
DN25	29,00	26,00	120,00	158,50	25,00	BBS-09-AA.V25.V25.35.3.MM	(743 556)
DN32	35,00	32,00	153,00	179,00	30,00	BBS-09-AA.V32.V32.35.3.MM	(on request)
DN40	41,00	38,00	153,00	201,00	30,00	BBS-09-AA.V40.V40.35.3.MM	(743 900)
DN50	53,00	50,00	173,00	219,20	32,50	BBS-09-AA.V50.V50.35.3.MM	(743 901)
DN65	70,00	66,00	216,00	246,00	41,00	BBS-09-AA.V65.V65.35.3.MM	(on request)
DN80	85,00	81,00		on request		BBS-09-AA.V80.V80.35.3.MM	(on request)
DN100	104,00	100,00		364,80		BBS-09-AA.V100.V100.35.3.MM	(on request)
DN150	154,00	150,00		on request		BBS-09-AA.V150.V150.35.3.MM	(on request)

Dimension [mm] Diaphragm valve 2/2 way, stainless steel, manual actuator/Clamp connection

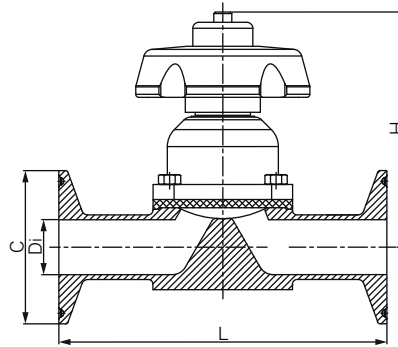


Orifice	C [mm]	Di [mm]	L [mm]	H[mm]	Item no. EPDM	
ISO Dimensions Diaphragm valve 2/2 way, stainless steel, manual actuator / Clamp connection						
DN08	25,00	10,30	63,50	77,80	BBS-09-AF.W08.W08.35.0.MM	(743 323)
DN10	25,00	14,00	108,00	97,00	BBS-09-AF.W10.W10.35.0.MM	(737 699)
DN15	50,50	18,10	108,00	99,00	BBS-09-AF.W15.W15.35.0.MM	(on request)
DN20	50,50	23,70	120,00	121,00	BBS-09-AF.W20.W20.35.0.MM	(on request)
DN25	50,50	29,70	120,00	125,00	BBS-09-AF.W25.W25.35.0.MM	(on request)
DN32	64,00	38,40	153,00	147,00	BBS-09-AF.W32.W32.35.0.MM	(on request)
DN40	64,00	44,30	153,00	152,00	BBS-09-AF.W40.W40.35.0.MM	(on request)
DN50	77,50	56,30	173,00	183,00	BBS-09-AF.W50.W50.35.0.MM	(on request)
DN65	91,00	71,50		245,00	BBS-09-AF.W65.W65.35.0.MM	(on request)
DN80	106,00	84,30		260,00	BBS-09-AF.W80.W80.35.0.MM	(on request)
DN100	130,00	109,10		278,00	BBS-09-AF.W100.W100.35.0.MM	(on request)
DN150	183,00	163,10		345,00	BBS-09-AA.W150.W150.35.0.MM	(on request)

Orifice	C [mm]	Di [mm]	L [mm]	H[mm]	Item no. EPDM	
BS-OD Dimensions Diaphragm valve 2/2 way, stainless steel, manual actuator / Clamp connection						
DN1/4"	25,00	4,57	63,50	75,30	BBS-09-AF.Y02.Y02.35.0.MM	(on request)
DN3/8"	25,00	7,75	63,50	76,80	BBS-09-AF.Y03.Y03.35.0.MM	(on request)
DN1/2"	25,00	9,40	63,50	78,30	BBS-09-AF.Y05.Y05.35.0.MM	(737 780)
DN3/4"	25,00	15,75	101,60	97,50	BBS-09-AF.Y07.Y07.35.0.MM	(on request)
DN1"	50,50	22,10	114,30	125,50	BBS-09-AF.Y10.Y10.35.0.MM	(on request)
DN1 1/2"	50,50	34,80	139,70	137,00	BBS-09-AF.Y15.Y15.35.0.MM	(on request)
DN2"	64,00	47,50	158,70	157,00	BBS-09-AF.Y20.Y20.35.0.MM	(on request)
DN2 1/2"	77,50	60,20	on request		BBS-09-AF.Y25.Y25.35.0.MM	(on request)
DN3"	91,00	72,90	on request		BBS-09-AF.Y30.Y30.35.0.MM	(on request)
DN4"	119,00	97,38	350,00	364,80	BBS-09-AF.Y40.Y40.35.0.MM	(on request)
DN6"	167,00	146,86	on request		BBS-09-AF.Y60.Y60.35.0.MM	(on request)

Orifice	C [mm]	Di [mm]	L [mm]	H[mm]	Item no. EPDM	
DIN Dimensions Diaphragm valve 2/2 way, stainless steel, manual actuator / Clamp connection						
DN04	25,00	4,00	63,50	78,30	BBS-09-AF.V04.V00.35.0.MM	(on request)
DN06	25,00	6,00	63,50	78,30	BBS-09-AF.V06.V00.35.0.MM	(on request)
DN08	25,00	8,00	63,50	78,30	BBS-09-AF.V08.V00.35.0.MM	(on request)
DN10	34,00	10,00	63,50	78,30	BBS-09-AF.V10.V00.35.0.MM	(737 632)
DN15	34,00	16,00	108,00	97,50	BBS-09-AF.V15.V00.35.0.MM	(on request)
DN20	34,00	20,00	114,30	125,50	BBS-09-AF.V20.V00.35.0.MM	(on request)
DN25	50,50	26,00	114,30	125,50	BBS-09-AF.V25.V00.35.0.MM	(on request)
DN32	50,50	32,00	139,70	137,00	BBS-09-AF.V32.V00.35.0.MM	(on request)
DN40	50,50	38,00	139,70	137,00	BBS-09-AF.V40.V00.35.0.MM	(on request)
DN50	64,00	50,00	158,70	157,00	BBS-09-AF.V50.V00.35.0.MM	(on request)
DN65	91,00	66,00	on request		BBS-09-AF.V65.V00.35.0.MM	(on request)
DN80	106,00	81,00	on request		BBS-09-AF.V80.V00.35.0.MM	(on request)
DN100	119,00	100,00	348,90	364,80	BBS-09-AF.V100.V00.35.0.MM	(on request)
DN150	183,00	150,00	on request		BBS-09-AF.V150.V150.35.0.MM	(on request)

Dimension [mm] Diaphragm valve 2/2 way, stainless steel, manual actuator/Clamp connection

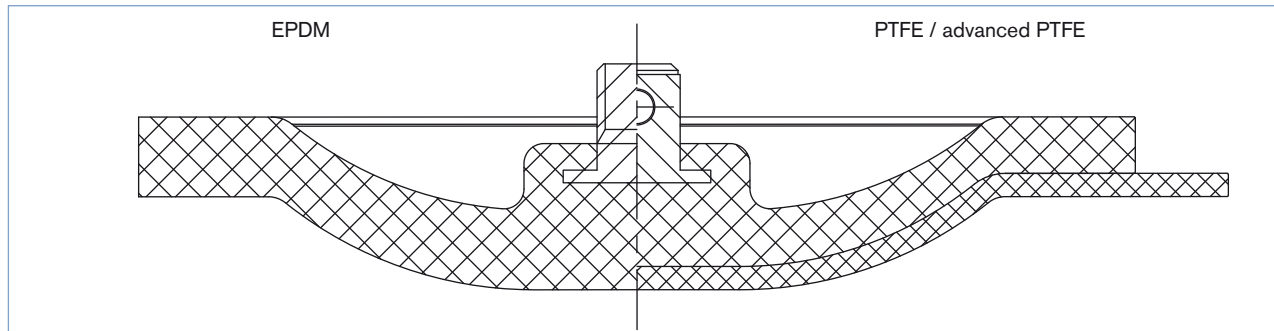


Orifice	C [mm]	Di [mm]	L [mm]	H[mm]	Item no. FEP	
ISO Dimensions Diaphragm valve 2/2 way, stainless steel, manual actuator / Clamp connection						
DN08	25,00	10,30	63,50	77,80	BBS-09-AF.W08.W08.35.3.MM	(on request)
DN10	25,00	14,00	108,00	97,00	BBS-09-AF.W10.W10.35.3.MM	(737 708)
DN15	50,50	18,10	108,00	99,00	BBS-09-AF.W15.W15.35.3.MM	(737 716)
DN20	50,50	23,70	120,00	121,00	BBS-09-AF.W20.W20.35.3.MM	(on request)
DN25	50,50	29,70	120,00	125,00	BBS-09-AF.W25.W25.35.3.MM	(737 740)
DN32	64,00	38,40	153,00	147,00	BBS-09-AF.W32.W32.35.3.MM	(on request)
DN40	64,00	44,30	153,00	152,00	BBS-09-AF.W40.W40.35.3.MM	(on request)
DN50	77,50	56,30	173,00	183,00	BBS-09-AF.W50.W50.35.3.MM	(on request)
DN65	91,00	71,50		245,00	BBS-09-AF.W65.W65.35.3.MM	(on request)
DN80	106,00	84,30		260,00	BBS-09-AF.W80.W80.35.3.MM	(on request)
DN100	130,00	109,10		278,00	BBS-09-AF.W100.W100.35.3.MM	(on request)
DN150	183,00	163,10		345,00	BBS-09-AA.W150.W150.35.3.MM	(on request)

Orifice	C [mm]	Di [mm]	L [mm]	H[mm]	Item no. FEP	
BS-OD Dimensions Diaphragm valve 2/2 way, stainless steel, manual actuator / Clamp connection						
DN1/4"	25,00	4,57	63,50	75,30	BBS-09-AF.Y02.Y02.35.3.MM	(on request)
DN3/8"	25,00	7,75	63,50	76,80	BBS-09-AF.Y03.Y03.35.3.MM	(on request)
DN1/2"	25,00	9,40	63,50	78,30	BBS-09-AF.Y05.Y05.35.3.MM	(737 788)
DN3/4"	25,00	15,75	101,60	97,50	BBS-09-AF.Y07.Y07.35.3.MM	(737 809)
DN1"	50,50	22,10	114,30	125,50	BBS-09-AF.Y10.Y10.35.3.MM	(737 821)
DN1 1/2"	50,50	34,80	139,70	137,00	BBS-09-AF.Y15.Y15.35.3.MM	(737 837)
DN2"	64,00	47,50	158,70	157,00	BBS-09-AF.Y20.Y20.35.3.MM	(737 849)
DN2 1/2"	77,50	60,20	on request		BBS-09-AF.Y25.Y25.35.3.MM	(on request)
DN3"	91,00	72,90	on request		BBS-09-AF.Y30.Y30.35.3.MM	(743 138)
DN4"	119,00	97,38	350,00	364,80	BBS-09-AF.Y40.Y40.35.3.MM	(on request)
DN6"	167,00	146,86	on request		BBS-09-AF.Y60.Y60.35.3.MM	(on request)

Orifice	C [mm]	Di [mm]	L [mm]	H[mm]	Item no. FEP	
DIN Dimensions Diaphragm valve 2/2 way, stainless steel, manual actuator / Clamp connection						
DN04	25,00	4,00	63,50	78,30	BBS-09-AF.V04.V00.35.3.MM	(on request)
DN06	25,00	6,00	63,50	78,30	BBS-09-AF.V06.V00.35.3.MM	(on request)
DN08	25,00	8,00	63,50	78,30	BBS-09-AF.V08.V00.35.3.MM	(on request)
DN10	34,00	10,00	63,50	78,30	BBS-09-AF.V10.V00.35.3.MM	(on request)
DN15	34,00	16,00	108,00	97,50	BBS-09-AF.V15.V00.35.3.MM	(on request)
DN20	34,00	20,00	114,30	125,50	BBS-09-AF.V20.V00.35.3.MM	(on request)
DN25	50,50	26,00	114,30	125,50	BBS-09-AF.V25.V00.35.3.MM	(on request)
DN32	50,50	32,00	139,70	137,00	BBS-09-AF.V32.V00.35.3.MM	(on request)
DN40	50,50	38,00	139,70	137,00	BBS-09-AF.V40.V00.35.3.MM	(on request)
DN50	64,00	50,00	158,70	157,00	BBS-09-AF.V50.V00.35.3.MM	(on request)
DN65	91,00	66,00	on request		BBS-09-AF.V65.V00.35.3.MM	(on request)
DN80	106,00	81,00	on request		BBS-09-AF.V80.V00.35.3.MM	(on request)
DN100	119,00	100,00	348,90	364,80	BBS-09-AF.V100.V00.35.3.MM	(on request)
DN150	183,00	150,00	on request		BBS-09-AF.V150.V150.35.3.MM	(on request)

Replacement Diaphragm for 2/2 way valves



Orifice	Item no. EPDM		Item no. FEP		Item no. advanced PTFE	
ISO Replacement Diaphragm for 2/2 way valves						
DN08	BBS-02-20.V04.W08.VA.0	(731 610)	BBS-02-20.V04.W08.VA.3	(731 612)	BBS-02-20.V04.W08.TF.0	(on request)
DN10	BBS-02-20.W10.W15.EP.0	(731 619)	BBS-02-20.W10.W15.TE.0	(731 625)	BBS-02-20.W10.W15.TF.0	(731 627)
DN15	BBS-02-20.W10.W15.EP.0	(731 619)	BBS-02-20.W10.W15.TE.0	(731 625)	BBS-02-20.W10.W15.TF.0	(731 627)
DN20	BBS-02-20.W20.W25.EP.0	(731 642)	BBS-02-20.W20.W25.TE.0	(731 646)	BBS-02-20.W20.W25.TF.0	(731 648)
DN25	BBS-02-20.W20.W25.EP.0	(731 642)	BBS-02-20.W20.W25.TE.0	(731 646)	BBS-02-20.W20.W25.TF.0	(731 648)
DN32	BBS-02-20.W32.W40.EP.0	(731 652)	BBS-02-20.W32.W40.TE.0	(731 657)	BBS-02-20.W32.W40.TF.0	(731 659)
DN40	BBS-02-20.W32.W40.EP.0	(731 652)	BBS-02-20.W32.W40.TE.0	(731 657)	BBS-02-20.W32.W40.TF.0	(731 659)
DN50	BBS-02-20.W50.W50.EP.0	(731 663)	BBS-02-20.W50.W50.TE.0	(731 667)	BBS-02-20.W50.W50.TF.0	(731 669)
DN65	BBS-02-20.W65.W65.EP.0	(731 673)	BBS-02-20.W65.W65.TE.0	(731 677)	BBS-02-20.W65.W65.TF.0	(731 679)
DN80	BBS-02-20.W80.W80.EP.0	(731 683)	BBS-02-20.W80.W80.TE.0	(731 687)	BBS-02-20.W80.W80.TF.0	(731 690)
DN100	BBS-02-20.W100.W100.EP.0	(731 631)	BBS-02-20.W100.W100.TE.0	(731 633)	BBS-02-20.W100.W100.TF.0	(731 635)

Orifice	Item no. EPDM		Item no. FEP		Item no. advanced PTFE	
BS-OD Replacement Diaphragm for 2/2 way valves						
DN1/4"	BBS-02-20.V04.W08.VA.0	(731 610)	BBS-02-20.V04.W08.VA.3	(731 612)	BBS-02-20.V04.W08.TF.0	(on request)
DN1/2"	BBS-02-20.V04.W08.VA.0	(731 610)	BBS-02-20.V04.W08.VA.3	(731 612)	BBS-02-20.V04.W08.TF.0	(on request)
DN3/4"	BBS-02-20.W10.W15.EP.0	(731 619)	BBS-02-20.W10.W15.TE.0	(731 625)	BBS-02-20.W10.W15.TF.0	(731 627)
DN1"	BBS-02-20.W20.W25.EP.0	(731 642)	BBS-02-20.W20.W25.TE.0	(731 646)	BBS-02-20.W20.W25.TF.0	(731 648)
DN1 1/2"	BBS-02-20.W32.W40.EP.0	(731 652)	BBS-02-20.W32.W40.TE.0	(731 657)	BBS-02-20.W32.W40.TF.0	(731 659)
DN2"	BBS-02-20.W32.W40.EP.0	(731 652)	BBS-02-20.W32.W40.TE.0	(731 657)	BBS-02-20.W32.W40.TF.0	(731 659)
DN2 1/2"	BBS-02-20.W50.W50.EP.0	(731 663)	BBS-02-20.W50.W50.TE.0	(731 667)	BBS-02-20.W50.W50.TF.0	(731 669)
DN3"	BBS-02-20.W65.W65.EP.0	(731 673)	BBS-02-20.W65.W65.TE.0	(731 677)	BBS-02-20.W65.W65.TF.0	(731 679)
DN4"	BBS-02-20.W100.W100.EP.0	(731 631)	BBS-02-20.W100.W100.TE.0	(731 633)	BBS-02-20.W100.W100.TF.0	(731 635)

Orifice	Item no. EPDM		Item no. FEP		Item no. advanced PTFE	
DIN Replacement Diaphragm for 2/2 way valves						
DN04	BBS-02-20.V04.W08.VA.0	(731 610)	BBS-02-20.V04.W08.VA.3	(731 612)	BBS-02-20.V04.W08.TF.0	(on request)
DN06	BBS-02-20.V04.W08.VA.0	(731 610)	BBS-02-20.V04.W08.VA.3	(731 612)	BBS-02-20.V04.W08.TF.0	(on request)
DN08	BBS-02-20.V04.W08.VA.0	(731 610)	BBS-02-20.V04.W08.VA.3	(731 612)	BBS-02-20.V04.W08.TF.0	(on request)
DN10	BBS-02-20.V04.W08.VA.0	(731 610)	BBS-02-20.V04.W08.VA.3	(731 612)	BBS-02-20.V04.W08.TF.0	(on request)
DN15	BBS-02-20.W10.W15.EP.0	(731 619)	BBS-02-20.W10.W15.TE.0	(731 625)	BBS-02-20.W10.W15.TF.0	(731 627)
DN20	BBS-02-20.W20.W25.EP.0	(731 642)	BBS-02-20.W20.W25.TE.0	(731 646)	BBS-02-20.W20.W25.TF.0	(731 648)
DN25	BBS-02-20.W20.W25.EP.0	(731 642)	BBS-02-20.W20.W25.TE.0	(731 646)	BBS-02-20.W20.W25.TF.0	(731 648)
DN32	BBS-02-20.W32.W40.EP.0	(731 652)	BBS-02-20.W32.W40.TE.0	(731 657)	BBS-02-20.W32.W40.TF.0	(731 659)
DN40	BBS-02-20.W32.W40.EP.0	(731 652)	BBS-02-20.W32.W40.TE.0	(731 657)	BBS-02-20.W32.W40.TF.0	(731 659)
DN50	BBS-02-20.W50.W50.EP.0	(731 663)	BBS-02-20.W50.W50.TE.0	(731 667)	BBS-02-20.W50.W50.TF.0	(731 669)
DN65	BBS-02-20.W65.W65.EP.0	(731 673)	BBS-02-20.W65.W65.TE.0	(731 677)	BBS-02-20.W65.W65.TF.0	(731 679)
DN80	BBS-02-20.W80.W80.EP.0	(731 683)	BBS-02-20.W80.W80.TE.0	(731 687)	BBS-02-20.W80.W80.TF.0	(731 690)
DN100	BBS-02-20.W100.W100.EP.0	(731 631)	BBS-02-20.W100.W100.TE.0	(731 633)	BBS-02-20.W100.W100.TF.0	(731 635)

To find your nearest Bürkert facility, click on the orange box → www.burkert.com

In case of special application conditions,
please consult for advice.

Subject to alterations
© Christian Bürkert GmbH & Co. KG

1203/1_EU-en_00895168