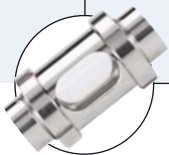


2/2 way diaphragm valve, pneumatic, weld end and Clamp connection



Hygienic Processing Components...



Type BBS-03F
Flow indicator



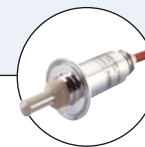
Type BBS-04
Silicone Hose



Type BBS-10
Check valve



Type BBS-05
Quick connect



Type 8221
Conductivity sensor



Type 8650
Process Automation

The externally piloted diaphragm valve consists of a pneumatically operated piston actuator, a diaphragm and a 2-way valve housing made from high quality forged stainless steel.

The actuator has a complete stainless steel housing. The flow optimized and zero dead volume valve body makes high flow rates possible and a variety of applications to be realized.

These new pneumatic actuators are fully autoclavable, acid and alkali resistant, suitable for all commercially available valve bodies, electro polished (standard) and non-ferrous metal free.

They are suitable for use with the complete range of feedback and control options from Bürkert by using appropriate adaptation sets.

Applications

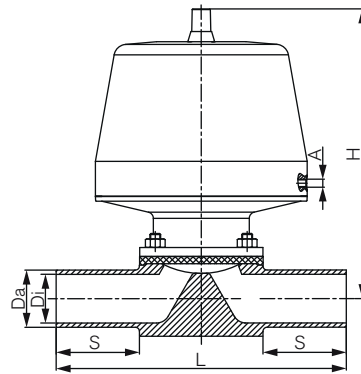
- Biotechnology
- Pharmaceutical
- Chemical industry
- Dairy
- Food
- Cosmetic

- All medium contact materials traceable
- Complete stainless steel actuator, zero dead volume
- Component of the BBS modular system
- High performance and low maintenance
- Suitable for CIP and SIP

Technical data

Available standard sizes	ISO DN08 to DN100 BS-OD DN1/4" to DN4" DIN DN04 to DN100 Customized on request
Material medium contact	Stainless steel 1.4435 BN2 (316L), special materials e.g. Hastelloy 2.4602, Titanium, 1.4539 etc. on request
Material Actuator	1.4305 or equivalent
Seals	Diaphragm: EPDM, FEP (PTFE/EPDM backing shield), Advanced PTFE. Special materials e.g. silicone on request.
Surface quality	Medium contacted surface < Ra 0,8µm, electro polished, finer surface on request
Operating temperature	EPDM seal material: -40°C to 90°C, temporary to 140°C FEP seal material: -60°C to 160°C, temporary to 205°C
Ambient temperature	-10 to +80 °C
Pilot pressure	5 bar min. / 7 bar max.
Operating pressure	ISO DN08 to DN65 = 10 bar both sides ISO DN80 to DN100 = 8 bar both sides DIN DN04 to DN65 = 10 bar both sides DIN DN80 to DN100 = 8 bar both sides BS-OD DN1/4" to DN3" = 10 bar both sides BS-OD DN4" = 8 bar both sides
Media	Gases or liquids < 10 bar
Control medium	Neutral gases; Air
Control function	NC by spring action (NO by spring action or double-acting on request)
Applicable Standards	Pipe connection acc. to DIN 11866 ISO-Dimensions Series B (ISO 4200) BS-OD-Dimensions Series C (ASME BPE) DIN-Dimensions Series A (DIN 11850) Clamp connection acc. to DIN 32676 ISO-Dimensions Series B BS-OD-Dimensions Series C (ASME BPE) DIN-Dimensions Series A
Certifications	Material 3.1, FDA, USP VI

Dimension [mm] Diaphragm valve 2/2-way stainless steel actuator pneumatic / weld end

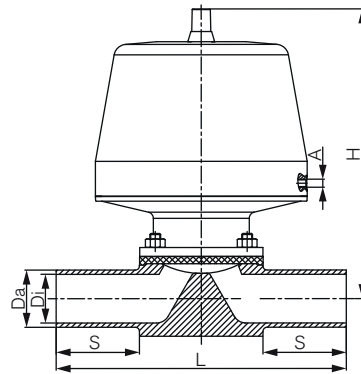


Orifice	Da [mm]	Di [mm]	L [mm]	H [mm]	S [mm]	A	Item no. EPDM	
ISO Dimensions Diaphragm valve 2/2-way stainless steel actuator pneumatic / weld end								
DN08	13,50	10,30	72,00	109,95	20,00	M5	BBS-09-AC.W08.W08.35.0.MP	(737 138)
DN10	17,20	14,00	108,00	142,50	31,00	M5	BBS-09-AC.W10.W10.35.0.MP	(742 792)
DN15	21,30	18,10	108,00	144,50	31,00	M5	BBS-09-AC.W15.W15.35.0.MP	(742 957)
DN20	26,90	23,70	120,00	193,60	25,00	M5	BBS-09-AC.W20.W20.35.0.MP	(742 909)
DN25	33,70	29,70	120,00	198,10	25,00	M5	BBS-09-AC.W25.W25.35.0.MP	(742 959)
DN32	42,40	38,40	153,00	251,60	30,00	G 1/8"	BBS-09-AC.W32.W32.35.0.MP	(on request)
DN40	48,30	44,30	153,00	256,60	30,00	G 1/8"	BBS-09-AC.W40.W40.35.0.MP	(on request)
DN50	60,30	56,30	173,00	282,70	40,00	G 1/8"	BBS-09-AC.W50.W50.35.0.MP	(737 356)
DN65	76,10	72,10	216,00	332,00	41,50	G 1/8"	BBS-09-AC.W65.W65.35.0.MP	(on request)
DN80	88,90	84,30	244,00		40,00	G 1/8"	BBS-09-AC.W80.W80.35.0.MP	(on request)
DN100	114,30	109,70	350,00	380,00	55,00	G 1/8"	BBS-09-AC.W100.W100.35.0.MP	(on request)

Orifice	Da [mm]	Di [mm]	L [mm]	H [mm]	S [mm]	A	Item no. EPDM	
BS-OD Dimensions Diaphragm valve 2/2-way stainless steel actuator pneumatic / weld end								
DN1/4"	6,35	4,57	72,00	107,00	20,00	M5	BBS-09-AC.Y02.Y02.35.0.MP	(737 414)
DN3/8"	9,53	7,75	88,90	110,00	20,00	M5	BBS-09-AC.Y03.Y03.35.0.MP	(737 424)
DN1/2"	12,70	9,40	88,90	110,00	28,45	M5	BBS-09-AC.Y05.Y05.35.0.MP	(737 432)
DN3/4"	19,05	15,75	121,90	143,00	37,95	M5	BBS-09-AC.Y07.Y07.35.0.MP	(on request)
DN1"	25,40	22,10	147,30	195,30	39,15	M5	BBS-09-AC.Y10.Y10.35.0.MP	(on request)
DN1 1/2"	38,10	34,80	170,20	251,60	38,60	G 1/8"	BBS-09-AC.Y15.Y15.35.0.MP	(on request)
DN2"	50,80	47,50	190,50	261,60	48,75	G 1/8"	BBS-09-AC.Y20.Y20.35.0.MP	(on request)
DN2 1/2"	63,50	60,20	173,00	297,60	32,50	G 1/8"	BBS-09-AC.Y25.Y25.35.0.MP	(on request)
DN3"	76,20	72,00	223,50	313,50	44,80	G 1/8"	BBS-09-AC.Y30.Y30.35.0.MP	(on request)
DN4"	101,60	97,38	350,00	385,00	55,00	G 1/8"	BBS-09-AC.Y40.Y40.35.0.MP	(on request)

Orifice	Da [mm]	Di [mm]	L [mm]	H [mm]	S [mm]	A	Item no. EPDM	
DIN Dimensions Diaphragm valve 2/2-way stainless steel actuator pneumatic / weld end								
DN04	6,00	4,00	72,00	104,50	20,00	M5	BBS-09-AC.V04.V04.35.0.MP	(on request)
DN06	8,00	6,00	72,00	105,00	20,00	M5	BBS-09-AC.V06.V06.35.0.MP	(736 984)
DN08	10,00	8,00	72,00	108,30	20,00	M5	BBS-09-AC.V08.V08.35.0.MP	(on request)
DN10	12,00	10,00	72,00	108,30	20,00	M5	BBS-09-AC.V10.V10.35.0.MP	(on request)
DN10	13,00	10,00	72,00	108,30	20,00	M5	BBS-09-AC.V10.V10.35.0.MP-1	(on request)
DN15	19,00	16,00	108,00	144,50	20,00	M5	BBS-09-AC.V15.V15.35.0.MP	(on request)
DN20	23,00	20,00	120,00	193,60	20,00	M5	BBS-09-AC.V20.V20.35.0.MP	(on request)
DN25	29,00	26,00	120,00	198,10	25,00	M5	BBS-09-AC.V25.V25.35.0.MP	(on request)
DN32	35,00	32,00	153,00	251,60	30,00	G 1/8"	BBS-09-AC.V32.V32.35.0.MP	(on request)
DN40	41,00	38,00	153,00	253,60	30,00	G 1/8"	BBS-09-AC.V40.V40.35.0.MP	(on request)
DN50	53,00	50,00	173,00	271,80	32,50	G 1/8"	BBS-09-AC.V50.V50.35.0.MP	(737 097)
DN65	70,00	66,00	216,00	332,00	41,50	G 1/8"	BBS-09-AC.V65.V65.35.0.MP	(on request)
DN80	85,00	81,00	244,00		40,00	G 1/8"	BBS-09-AC.V80.V80.35.0.MP	(on request)
DN100	104,00	100,00	350,00	380,00	55,00	G 1/8"	BBS-09-AC.V100.V100.35.0.MP	(on request)

Dimension [mm] Diaphragm valve 2/2-way stainless steel actuator pneumatic / weld end

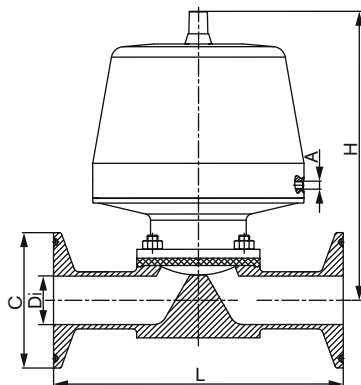


Orifice	Da [mm]	Di [mm]	L [mm]	H [mm]	S [mm]	A	Item no. FEP	
ISO Dimension Diaphragm valve 2/2-way stainless steel actuator pneumatic / weld end								
DN08	13,50	10,30	72,00	109,95	20,00	M5	BBS-09-AC.W08.W08.35.3.MP	(737 142)
DN10	17,20	14,00	108,00	142,50	31,00	M5	BBS-09-AC.W10.W10.35.3.MP	(743 007)
DN15	21,30	18,10	108,00	144,50	31,00	M5	BBS-09-AC.W15.W15.35.3.MP	(737 202)
DN20	26,90	23,70	120,00	193,60	25,00	M5	BBS-09-AC.W20.W20.35.3.MP	(743 008)
DN25	33,70	29,70	120,00	198,10	25,00	M5	BBS-09-AC.W25.W25.35.3.MP	(737 283)
DN32	42,40	38,40	153,00	251,60	30,00	G 1/8"	BBS-09-AC.W32.W32.35.3.MP	(743 009)
DN40	48,30	44,30	153,00	256,60	30,00	G 1/8"	BBS-09-AC.W40.W40.35.3.MP	(743 010)
DN50	60,30	56,30	173,00	282,70	40,00	G 1/8"	BBS-09-AC.W50.W50.35.3.MP	(743 011)
DN65	76,10	72,10	216,00	332,00	41,50	G 1/8"	BBS-09-AC.W65.W65.35.3.MP	(on request)
DN80	88,90	84,30	244,00		40,00	G 1/8"	BBS-09-AC.W80.W80.35.3.MP	(on request)
DN100	114,30	109,70	350,00	380,00	55,00	G 1/8"	BBS-09-AC.W100.W100.35.3.MP	(on request)

Orifice	Da [mm]	Di [mm]	L [mm]	H [mm]	S [mm]	A	Item no. FEP	
BS-OD Dimensions Diaphragm valve 2/2-way stainless steel actuator pneumatic / weld end								
DN1/4"	6,35	4,57	72,00	107,00	20,00	M5	BBS-09-AC.Y02.Y02.35.3.MP	(737 419)
DN3/8"	9,53	7,75	88,90	110,00	20,00	M5	BBS-09-AC.Y03.Y03.35.3.MP	(737 427)
DN1/2"	12,70	9,40	88,90	110,00	28,45	M5	BBS-09-AC.Y05.Y05.35.3.MP	(737 436)
DN3/4"	19,05	15,75	121,90	143,00	37,95	M5	BBS-09-AC.Y07.Y07.35.3.MP	(on request)
DN1"	25,40	22,10	147,30	195,30	39,15	M5	BBS-09-AC.Y10.Y10.35.3.MP	(on request)
DN1 1/2"	38,10	34,80	170,20	251,60	38,60	G 1/8"	BBS-09-AC.Y15.Y15.35.3.MP	(on request)
DN2"	50,80	47,50	190,50	261,60	48,75	G 1/8"	BBS-09-AC.Y20.Y20.35.3.MP	(on request)
DN2 1/2"	63,50	60,20	173,00	297,60	32,50	G 1/8"	BBS-09-AC.Y25.Y25.35.3.MP	(on request)
DN3"	76,20	72,00	223,50	313,50	44,80	G 1/8"	BBS-09-AC.Y30.Y30.35.3.MP	(on request)
DN4"	101,60	97,38	350,00	385,00	55,00	G 1/8"	BBS-09-AC.Y40.Y40.35.3.MP	(on request)

Orifice	Da [mm]	Di [mm]	L [mm]	H [mm]	S [mm]	A	Item no. FEP	
DIN Dimensions Diaphragm valve 2/2-way stainless steel actuator pneumatic / weld end								
DN04	6,00	4,00	72,00	104,50	20,00	M5	BBS-09-AC.V04.V04.35.3.MP	(on request)
DN06	8,00	6,00	72,00	105,00	20,00	M5	BBS-09-AC.V06.V06.35.3.MP	(736 988)
DN08	10,00	8,00	72,00	108,30	20,00	M5	BBS-09-AC.V08.V08.35.3.MP	(on request)
DN10	12,00	10,00	72,00	108,30	20,00	M5	BBS-09-AC.V10.V10.35.3.MP	(on request)
DN10	13,00	10,00	72,00	108,30	20,00	M5	BBS-09-AC.V10.V10.35.3.MP-1	(on request)
DN15	19,00	16,00	108,00	144,50	20,00	M5	BBS-09-AC.V15.V15.35.3.MP	(737 032)
DN20	23,00	20,00	120,00	193,60	20,00	M5	BBS-09-AC.V20.V20.35.3.MP	(743 056)
DN25	29,00	26,00	120,00	198,10	25,00	M5	BBS-09-AC.V25.V25.35.3.MP	(737 060)
DN32	35,00	32,00	153,00	251,60	30,00	G 1/8"	BBS-09-AC.V32.V32.35.3.MP	(on request)
DN40	41,00	38,00	153,00	253,60	30,00	G 1/8"	BBS-09-AC.V40.V40.35.3.MP	(on request)
DN50	53,00	50,00	173,00	271,80	32,50	G 1/8"	BBS-09-AC.V50.V50.35.3.MP	(on request)
DN65	70,00	66,00	216,00	332,00	41,50	G 1/8"	BBS-09-AC.V65.V65.35.3.MP	(on request)
DN80	85,00	81,00	244,00		40,00	G 1/8"	BBS-09-AC.V80.V80.35.3.MP	(on request)
DN100	104,00	100,00	350,00	380,00	55,00	G 1/8"	BBS-09-AC.V100.V100.35.3.MP	(on request)

Dimension [mm] Diaphragm valve 2/2-way stainless steel actuator pneumatic/Clamp connection

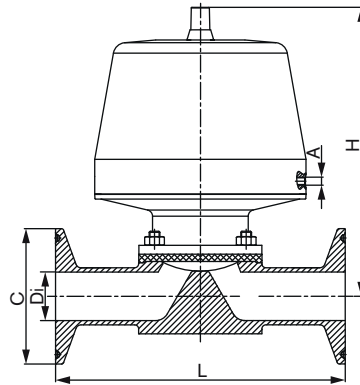


Orifice	C [mm]	Di [mm]	L [mm]	H [mm]	A	Item no. EPDM	
ISO Dimensions Diaphragm valve 2/2-way stainless steel actuator pneumatic / Clamp connection							
DN08	25,00	10,30	63,50	96,00	M5	BBS-09-AG.W08.W08.35.0.MP	(737 932)
DN10	25,00	14,00	108,00	97,00	M5	BBS-09-AG.W10.W10.35.0.MP	(on request)
DN15	50,50	18,10	108,00	100,00	M5	BBS-09-AG.W15.W15.35.0.MP	(on request)
DN20	50,50	23,70	120,00	130,00	M5	BBS-09-AG.W20.W20.35.0.MP	(on request)
DN25	50,50	29,70	120,00	175,00	M5	BBS-09-AG.W25.W25.35.0.MP	(on request)
DN32	64,00	38,40	153,00	220,00	G 1/8"	BBS-09-AG.W32.W32.35.0.MP	(on request)
DN40	64,00	44,30	153,00	224,00	G 1/8"	BBS-09-AG.W40.W40.35.0.MP	(on request)
DN50	77,50	56,30	173,00	230,00	G 1/8"	BBS-09-AG.W50.W50.35.0.MP	(on request)
DN65	91,00	72,10		332,00	G 1/8"	BBS-09-AG.W65.W65.35.0.MP	(on request)
DN80	106,00	84,30			G 1/8"	BBS-09-AG.W80.W80.35.0.MP	(on request)
DN100	130,00	109,70		380,00	G 1/8"	BBS-09-AG.W100.W100.35.0.MP	(on request)

Orifice	C [mm]	Di [mm]	L [mm]	H [mm]	A	Item no. EPDM	
BS-OD Dimensions Diaphragm valve 2/2-way stainless steel actuator pneumatic / Clamp connection							
DN1/4"	25,00	4,57	63,50	96,00	M5	BBS-09-AG.Y02.Y02.35.0.MP	(738 037)
DN3/8"	25,00	7,75	63,50	97,00	M5	BBS-09-AG.Y03.Y03.35.0.MP	(738 041)
DN1/2"	25,00	9,40	63,50	100,00	M5	BBS-09-AG.Y05.Y05.35.0.MP	(738 045)
DN3/4"	25,00	15,75	101,60	130,00	M5	BBS-09-AG.Y07.Y07.35.0.MP	(on request)
DN1"	50,50	22,10	114,30	175,00	M5	BBS-09-AG.Y10.Y10.35.0.MP	(on request)
DN1 1/2"	50,50	34,80	139,70	224,00	G 1/8"	BBS-09-AG.Y15.Y15.35.0.MP	(on request)
DN2"	64,00	47,50	158,70	230,00	G 1/8"	BBS-09-AG.Y20.Y20.35.0.MP	(on request)
DN2 1/2"	77,50	60,20			on request	BBS-09-AG.Y25.Y25.35.0.MP	(on request)
DN3"	91,00	72,00	222,25	313,50	G 1/8"	BBS-09-AG.Y30.Y30.35.0.MP	(on request)
DN4"	119,00	97,38	310,00	385,00	G 1/8"	BBS-09-AG.Y40.Y40.35.0.MP	(on request)

Orifice	C [mm]	Di [mm]	L [mm]	H [mm]	A	Item no. EPDM	
DIN Dimensions Diaphragm valve 2/2-way stainless steel actuator pneumatic / Clamp connection							
DN04	25,00	4,00	63,50	96,00	M5	BBS-09-AG.V04.V04.35.0.MP	(on request)
DN06	25,00	6,00	63,50	97,00	M5	BBS-09-AG.V06.V06.35.0.MP	(on request)
DN08	25,00	8,00	63,50	100,00	M5	BBS-09-AG.V08.V08.35.0.MP	(737 892)
DN10	34,00	10,00	63,50	130,00	M5	BBS-09-AG.V10.V10.35.0.MP	(737 896)
DN15	34,00	16,00	108,00	175,00	M5	BBS-09-AG.V15.V15.35.0.MP	(on request)
DN20	34,00	20,00	114,30	220,00	M5	BBS-09-AG.V20.V20.35.0.MP	(on request)
DN25	50,50	26,00	114,30	220,00	M5	BBS-09-AG.V25.V25.35.0.MP	(on request)
DN32	50,50	32,00	139,70	224,00	G 1/8"	BBS-09-AG.V32.V32.35.0.MP	(737 920)
DN40	50,50	38,00	139,70	230,00	G 1/8"	BBS-09-AG.V40.V40.35.0.MP	(on request)
DN50	64,00	50,00	158,70	236,00	G 1/8"	BBS-09-AG.V50.V50.35.0.MP	(on request)
DN65	91,00	66,00		332,00	G 1/8"	BBS-09-AG.V65.V65.35.0.MP	(on request)
DN80	106,00	81,00			G 1/8"	BBS-09-AG.V80.V80.35.0.MP	(on request)
DN100	119,00	100,00		380,00	G 1/8"	BBS-09-AG.V100.V100.35.0.MP	(on request)

Dimension [mm] Diaphragm valve 2/2-way stainless steel actuator pneumatic/Clamp connection

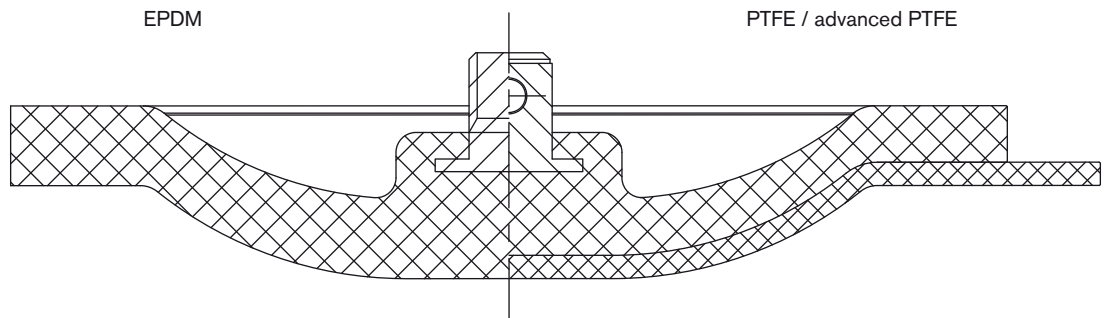


Orifice	C [mm]	Di [mm]	L [mm]	H [mm]	A	Item no. FEP	
ISO Dimension Diaphragm valve 2/2-way stainless steel actuator pneumatic / Clamp connection							
DN08	25,00	10,30	63,50	96,00	M5	BBS-09-AG.W08.W08.35.3.MP	(737 937)
DN10	25,00	14,00	108,00	97,00	M5	BBS-09-AG.W10.W10.35.3.MP	(on request)
DN15	50,50	18,10	108,00	100,00	M5	BBS-09-AG.W15.W15.35.3.MP	(737 957)
DN20	50,50	23,70	120,00	130,00	M5	BBS-09-AG.W20.W20.35.3.MP	(on request)
DN25	50,50	29,70	120,00	175,00	M5	BBS-09-AG.W25.W25.35.3.MP	(737 986)
DN32	64,00	38,40	153,00	220,00	G 1/8"	BBS-09-AG.W32.W32.35.3.MP	(on request)
DN40	64,00	44,30	153,00	224,00	G 1/8"	BBS-09-AG.W40.W40.35.3.MP	(on request)
DN50	77,50	56,30	173,00	230,00	G 1/8"	BBS-09-AG.W50.W50.35.3.MP	(on request)
DN65	91,00	72,10		332,00	G 1/8"	BBS-09-AG.W65.W65.35.3.MP	(on request)
DN80	106,00	84,30			G 1/8"	BBS-09-AG.W80.W80.35.3.MP	(on request)
DN100	130,00	109,70		380,00	G 1/8"	BBS-09-AG.W100.W100.35.3.MP	(on request)

Orifice	C [mm]	Di [mm]	L [mm]	H [mm]	A	Item no. FEP	
BS-OD Dimensions Diaphragm valve 2/2-way stainless steel actuator pneumatic / Clamp connection							
DN1/4"	25,00	4,57	63,50	96,00	M5	BBS-09-AG.Y02.Y02.35.3.MP	(on request)
DN3/8"	25,00	7,75	63,50	97,00	M5	BBS-09-AG.Y03.Y03.35.3.MP	(on request)
DN1/2"	25,00	9,40	63,50	100,00	M5	BBS-09-AG.Y05.Y05.35.3.MP	(on request)
DN3/4"	25,00	15,75	101,60	130,00	M5	BBS-09-AG.Y07.Y07.35.3.MP	(on request)
DN1"	50,50	22,10	114,30	175,00	M5	BBS-09-AG.Y10.Y10.35.3.MP	(742 805)
DN1 1/2"	50,50	34,80	139,70	224,00	G 1/8"	BBS-09-AG.Y15.Y15.35.3.MP	(742 806)
DN2"	64,00	47,50	158,70	230,00	G 1/8"	BBS-09-AG.Y20.Y20.35.3.MP	(742 807)
DN2 1/2"	77,50	60,20			on request	BBS-09-AG.Y25.Y25.35.3.MP	(on request)
DN3"	91,00	72,00	222,25	313,50	G 1/8"	BBS-09-AG.Y30.Y30.35.3.MP	(743 139)
DN4"	119,00	97,38	310,00	385,00	G 1/8"	BBS-09-AG.Y40.Y40.35.3.MP	(on request)

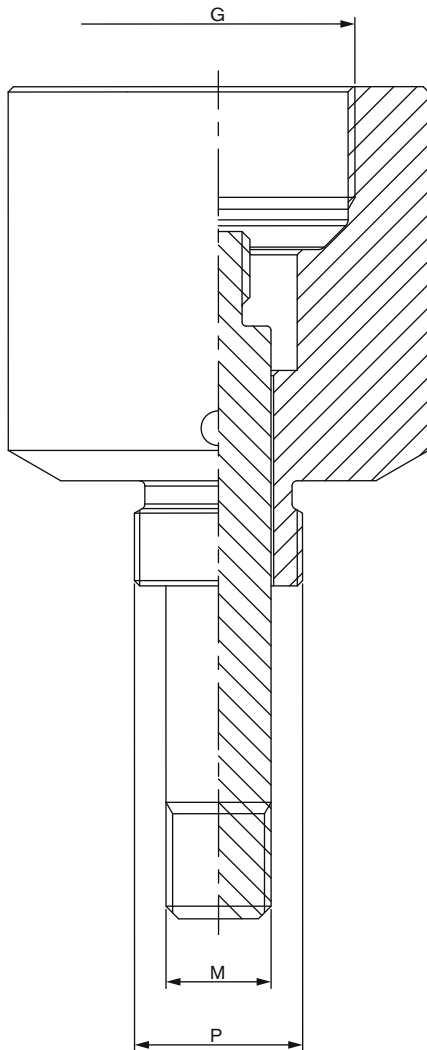
Orifice	C [mm]	Di [mm]	L [mm]	H [mm]	A	Item no. FEP	
DIN Dimensions Diaphragm valve 2/2-way stainless steel actuator pneumatic / Clamp connection							
DN04	25,00	4,00	63,50	96,00	M5	BBS-09-AG.V04.V04.35.3.MP	(on request)
DN06	25,00	6,00	63,50	97,00	M5	BBS-09-AG.V06.V06.35.3.MP	(on request)
DN08	25,00	8,00	63,50	100,00	M5	BBS-09-AG.V08.V08.35.3.MP	(on request)
DN10	34,00	10,00	63,50	130,00	M5	BBS-09-AG.V10.V10.35.3.MP	(743 251)
DN15	34,00	16,00	108,00	175,00	M5	BBS-09-AG.V15.V15.35.3.MP	(743 308)
DN20	34,00	20,00	114,30	220,00	M5	BBS-09-AG.V20.V20.35.3.MP	(on request)
DN25	50,50	26,00	114,30	220,00	M5	BBS-09-AG.V25.V25.35.3.MP	(on request)
DN32	50,50	32,00	139,70	224,00	G 1/8"	BBS-09-AG.V32.V32.35.3.MP	(on request)
DN40	50,50	38,00	139,70	230,00	G 1/8"	BBS-09-AG.V40.V40.35.3.MP	(743 252)
DN50	64,00	50,00	158,70	236,00	G 1/8"	BBS-09-AG.V50.V50.35.3.MP	(743 303)
DN65	91,00	66,00		332,00	G 1/8"	BBS-09-AG.V65.V65.35.3.MP	(on request)
DN80	106,00	81,00			G 1/8"	BBS-09-AG.V80.V80.35.3.MP	(on request)
DN100	119,00	100,00		380,00	G 1/8"	BBS-09-AG.V100.V100.35.3.MP	(on request)

Replacement diaphragm for 2/2-way valves



Orifice	Item no. EPDM		Item no. FEP		Item no. advanced PTFE	
ISO Replacement diaphragm for 2/2-way valves						
DN08	BBS-02-20.V04.W08.VA.0	(731 610)	BBS-02-20.V04.W08.VA.3	(731 612)	BBS-02-20.V04.W08.TF.0	(on request)
DN10	BBS-02-20.W10.W15.EP.0	(731 619)	BBS-02-20.W10.W15.TE.0	(731 625)	BBS-02-20.W10.W15.TF.0	(731 627)
DN15	BBS-02-20.W10.W15.EP.0	(731 619)	BBS-02-20.W10.W15.TE.0	(731 625)	BBS-02-20.W10.W15.TF.0	(731 627)
DN20	BBS-02-20.W20.W25.EP.0	(731 642)	BBS-02-20.W20.W25.TE.0	(731 646)	BBS-02-20.W20.W25.TF.0	(731 648)
DN25	BBS-02-20.W20.W25.EP.0	(731 642)	BBS-02-20.W20.W25.TE.0	(731 646)	BBS-02-20.W20.W25.TF.0	(731 648)
DN32	BBS-02-20.W32.W40.EP.0	(731 652)	BBS-02-20.W32.W40.TE.0	(731 657)	BBS-02-20.W32.W40.TF.0	(731 659)
DN40	BBS-02-20.W32.W40.EP.0	(731 652)	BBS-02-20.W32.W40.TE.0	(731 657)	BBS-02-20.W32.W40.TF.0	(731 659)
DN50	BBS-02-20.W50.W50.EP.0	(731 663)	BBS-02-20.W50.W50.TE.0	(731 667)	BBS-02-20.W50.W50.TF.0	(731 669)
DN65	BBS-02-20.W65.W65.EP.0	(731 673)	BBS-02-20.W65.W65.TE.0	(731 677)	BBS-02-20.W65.W65.TF.0	(731 679)
DN80	BBS-02-20.W80.W80.EP.0	(731 683)	BBS-02-20.W80.W80.TE.0	(731 687)	BBS-02-20.W80.W80.TF.0	(731 690)
DN100	BBS-02-20.W100.W100.EP.0	(731 631)	BBS-02-20.W100.W100.TE.0	(731 633)	BBS-02-20.W100.W100.TF.0	(731 635)
BS-OD Replacement diaphragm for 2/2-way valves						
DN1/4"	BBS-02-20.V04.W08.VA.0	(731 610)	BBS-02-20.V04.W08.VA.3	(731 612)	BBS-02-20.V04.W08.TF.0	(on request)
DN1/2"	BBS-02-20.V04.W08.VA.0	(731 610)	BBS-02-20.V04.W08.VA.3	(731 612)	BBS-02-20.V04.W08.TF.0	(on request)
DN3/4"	BBS-02-20.W10.W15.EP.0	(731 619)	BBS-02-20.W10.W15.TE.0	(731 625)	BBS-02-20.W10.W15.TF.0	(731 627)
DN1"	BBS-02-20.W20.W25.EP.0	(731 642)	BBS-02-20.W20.W25.TE.0	(731 646)	BBS-02-20.W20.W25.TF.0	(731 648)
DN1 1/2"	BBS-02-20.W32.W40.EP.0	(731 652)	BBS-02-20.W32.W40.TE.0	(731 657)	BBS-02-20.W32.W40.TF.0	(731 659)
DN2"	BBS-02-20.W32.W40.EP.0	(731 652)	BBS-02-20.W32.W40.TE.0	(731 657)	BBS-02-20.W32.W40.TF.0	(731 659)
DN2 1/2"	BBS-02-20.W50.W50.EP.0	(731 663)	BBS-02-20.W50.W50.TE.0	(731 667)	BBS-02-20.W50.W50.TF.0	(731 669)
DN3"	BBS-02-20.W65.W65.EP.0	(731 673)	BBS-02-20.W65.W65.TE.0	(731 677)	BBS-02-20.W65.W65.TF.0	(731 679)
DN4"	BBS-02-20.W100.W100.EP.0	(731 631)	BBS-02-20.W100.W100.TE.0	(731 633)	BBS-02-20.W100.W100.TF.0	(731 635)
DIN Replacement diaphragm for 2/2-way valves						
DN04	BBS-02-20.V04.W08.VA.0	(731 610)	BBS-02-20.V04.W08.VA.3	(731 612)	BBS-02-20.V04.W08.TF.0	(on request)
DN06	BBS-02-20.V04.W08.VA.0	(731 610)	BBS-02-20.V04.W08.VA.3	(731 612)	BBS-02-20.V04.W08.TF.0	(on request)
DN08	BBS-02-20.V04.W08.VA.0	(731 610)	BBS-02-20.V04.W08.VA.3	(731 612)	BBS-02-20.V04.W08.TF.0	(on request)
DN10	BBS-02-20.V04.W08.VA.0	(731 610)	BBS-02-20.V04.W08.VA.3	(731 612)	BBS-02-20.V04.W08.TF.0	(on request)
DN15	BBS-02-20.W10.W15.EP.0	(731 619)	BBS-02-20.W10.W15.TE.0	(731 625)	BBS-02-20.W10.W15.TF.0	(731 627)
DN20	BBS-02-20.W20.W25.EP.0	(731 642)	BBS-02-20.W20.W25.TE.0	(731 646)	BBS-02-20.W20.W25.TF.0	(731 648)
DN25	BBS-02-20.W20.W25.EP.0	(731 642)	BBS-02-20.W20.W25.TE.0	(731 646)	BBS-02-20.W20.W25.TF.0	(731 648)
DN32	BBS-02-20.W32.W40.EP.0	(731 652)	BBS-02-20.W32.W40.TE.0	(731 657)	BBS-02-20.W32.W40.TF.0	(731 659)
DN40	BBS-02-20.W32.W40.EP.0	(731 652)	BBS-02-20.W32.W40.TE.0	(731 657)	BBS-02-20.W32.W40.TF.0	(731 659)
DN50	BBS-02-20.W50.W50.EP.0	(731 663)	BBS-02-20.W50.W50.TE.0	(731 667)	BBS-02-20.W50.W50.TF.0	(731 669)
DN65	BBS-02-20.W65.W65.EP.0	(731 673)	BBS-02-20.W65.W65.TE.0	(731 677)	BBS-02-20.W65.W65.TF.0	(731 679)
DN80	BBS-02-20.W80.W80.EP.0	(731 683)	BBS-02-20.W80.W80.TE.0	(731 687)	BBS-02-20.W80.W80.TF.0	(731 690)
DN100	BBS-02-20.W100.W100.EP.0	(731 631)	BBS-02-20.W100.W100.TE.0	(731 633)	BBS-02-20.W100.W100.TF.0	(731 635)

Dimension [mm] Adapter for Bürkert feedback Type 1062



Orifice	G [mm]	M [mm]	P [mm]	Item no.	
ISO Dimensions Adapter for Bürkert feedback					
DN08	M26x1.5	M5 LH	M12x1	BBS-09-B2.VAL.099.05.0	(743 773)
DN10	M26x1.5	M8 LH	M12x1	BBS-09-B2.VAL.199.05.0	(743 774)
DN15	M26x1.5	M8 LH	M12x1	BBS-09-B2.VAL.199.05.0	(743 774)
DN20	M26x1.5	M10 LH	M16x1.5	BBS-09-B2.VAL.299.05.0	(743 775)
DN25	M26x1.5	M10 LH	M16x1.5	BBS-09-B2.VAL.299.05.0	(743 775)
DN32	M26x1.5	M10 LH	M16x1.5	BBS-09-B2.VAL.499.05.0	(743 776)
DN40	M26x1.5	M10 LH	M16x1.5	BBS-09-B2.VAL.499.05.0	(743 776)
DN50	M26x1.5	M10 LH	M16x1.5	BBS-09-B2.VAL.499.05.0	(743 776)

Orifice	G [mm]	M [mm]	P [mm]	Item no.	
BS-OD Dimensions Adapter for Bürkert feedback					
DN1/4"	M26x1.5	M5 LH	M12x1	BBS-09-B2.VAL.099.05.0	(743 773)
DN1/2"	M26x1.5	M8 LH	M12x1	BBS-09-B2.VAL.099.05.0	(743 773)
DN3/4"	M26x1.5	M8 LH	M12x1	BBS-09-B2.VAL.199.05.0	(743 774)
DN1"	M26x1.5	M10 LH	M16x1.5	BBS-09-B2.VAL.299.05.0	(743 775)
DN1 1/2"	M26x1.5	M10 LH	M16x1.5	BBS-09-B2.VAL.499.05.0	(743 776)
DN2"	M26x1.5	M10 LH	M16x1.5	BBS-09-B2.VAL.499.05.0	(743 776)
DN2 1/2"	M26x1.5	M10 LH	M16x1.5	BBS-09-B2.VAL.499.05.0	(743 776)

Orifice	G [mm]	M [mm]	P [mm]	Item no.	
DIN Dimensions Adapter for Bürkert feedback					
DN04	M26x1.5	M5 LH	M12x1	BBS-09-B2.VAL.099.05.0	(743 773)
DN06	M26x1.5	M8 LH	M12x1	BBS-09-B2.VAL.099.05.0	(743 773)
DN08	M26x1.5	M8 LH	M12x1	BBS-09-B2.VAL.099.05.0	(743 773)
DN10	M26x1.5	M8 LH	M12x1	BBS-09-B2.VAL.099.05.0	(743 773)
DN15	M26x1.5	M8 LH	M12x1	BBS-09-B2.VAL.199.05.0	(743 774)
DN20	M26x1.5	M10 LH	M16x1.5	BBS-09-B2.VAL.299.05.0	(743 775)
DN25	M26x1.5	M10 LH	M16x1.5	BBS-09-B2.VAL.299.05.0	(743 775)
DN32	M26x1.5	M10 LH	M16x1.5	BBS-09-B2.VAL.499.05.0	(743 776)
DN40	M26x1.5	M10 LH	M16x1.5	BBS-09-B2.VAL.499.05.0	(743 776)
DN50	M26x1.5	M10 LH	M16x1.5	BBS-09-B2.VAL.499.05.0	(743 776)

DTS 1000148932 EN Version: A Status: RL (released | freigegeben | valide) printed: 05.04.2012

To find your nearest Bürkert facility, click on the orange box → www.burkert.com

In case of special application conditions,
please consult for advice.

Subject to alterations
© Christian Bürkert GmbH & Co. KG

1203/1_EU-en_00895167